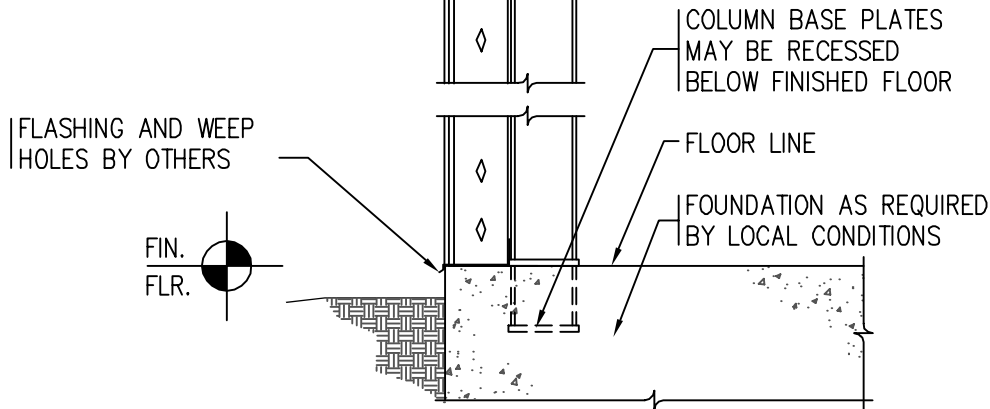


NOTE:
EXTERIOR & INTERIOR
FINISHES BY OTHERS

FULL HEIGHT STUD
(DESIGNED BY OTHERS)



XX SECTION
XX APPLICABLE TO ALL WIDESPAN FRAMES
SCALE: 1/2" = 1'-0"

SECTION : Endwall

WALL : STUDS

ROOF : MR-24

STRUCTURAL : Landmark 2000



**ENDWALL WITH GABLE TRIM
AND FULL HEIGHT STUD WALL**

BD 220

These details are for project planning and are not intended for construction. Butler Building products are constantly being improved; therefore, the information contained herein is subject to change without notice. Please contact your nearest Butler Builder® or Butler Manufacturing Company for the latest information.